

6

5

4

3

2

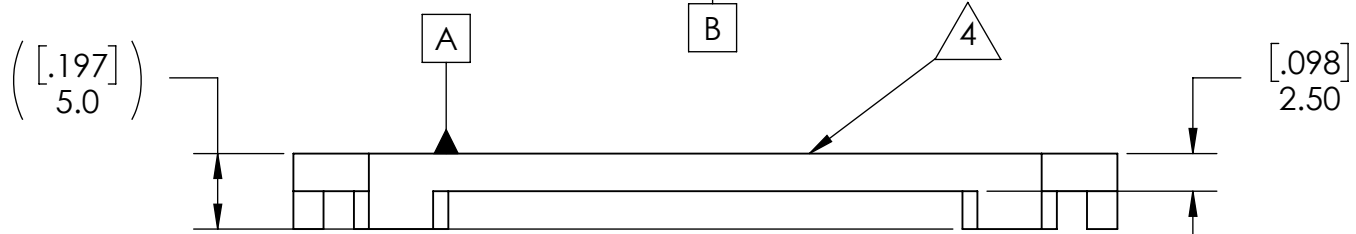
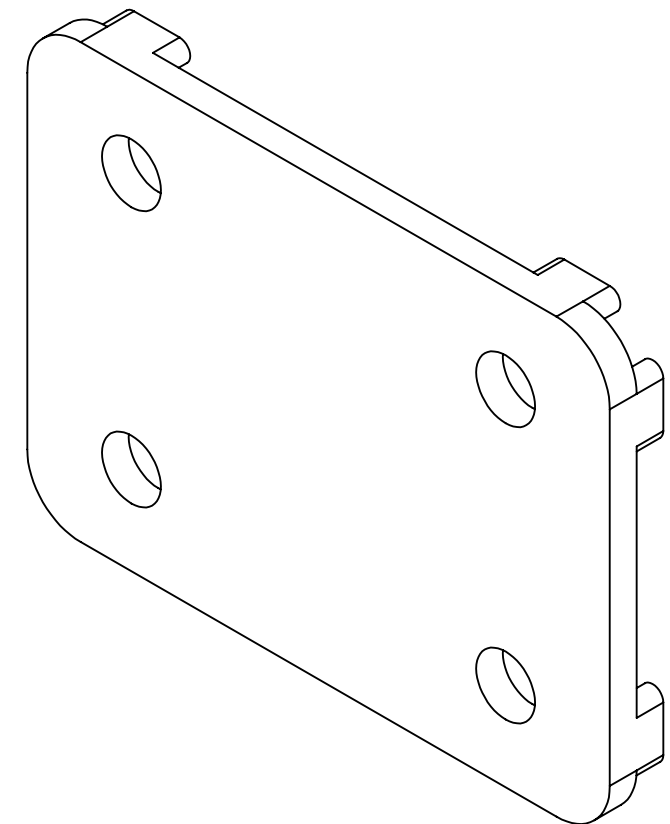
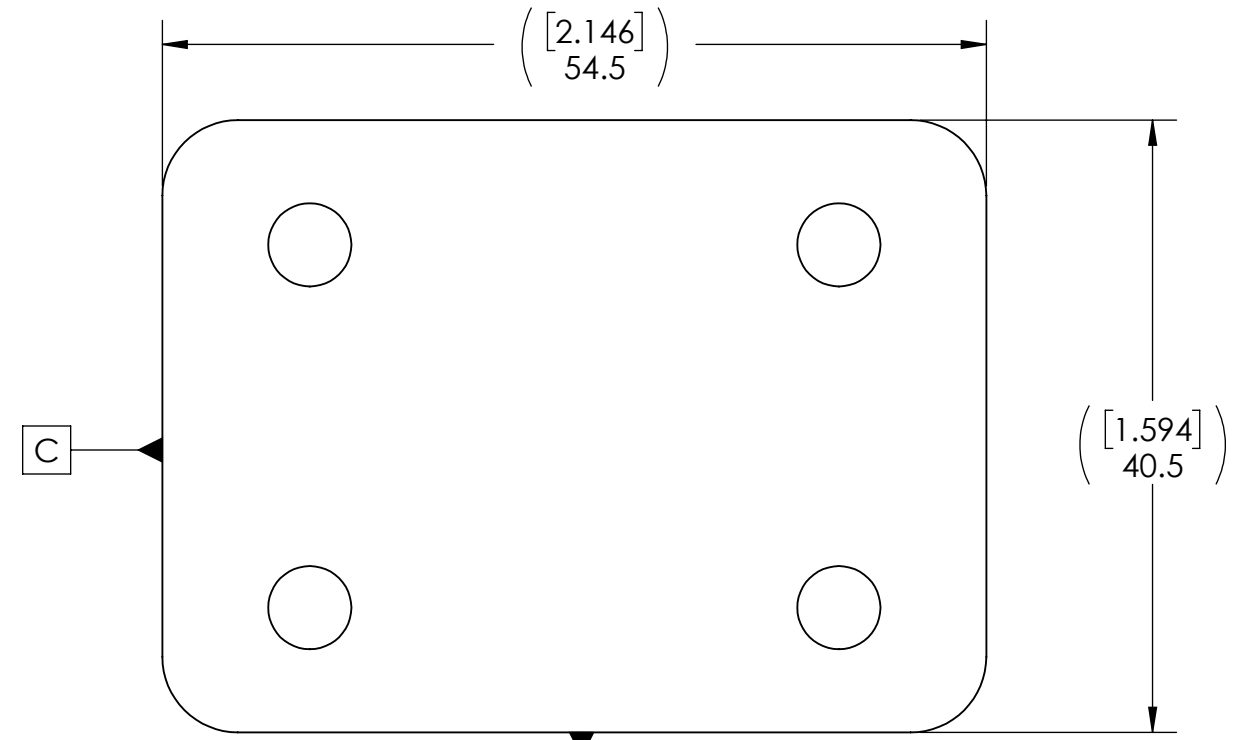
1

NOTES UNLESS OTHERWISE SPECIFIED

- 1 MATERIAL: ABS
- 2 FINISH: AS PRINTED
- 3 MAKE FROM: ABS FILAMENT
- △ 4 FDM PRINT WITH THIS SIDE AGAINST BED
- 5 THE CAD MODEL IS THE MASTER FOR ALL DIMENSIONS NOT SHOWN



DOCUMENT REVISION HISTORY			
REV.	DESCRIPTION	DATE	APPROVED
A	INITIAL RELEASE	14 FEB 2023	A. BURKS



	NAME	DATE
DRAWN	A. BURKS	2/14/2023
CHECKED		
ANALYZED	A. BURKS	2/14/2023
APPROVED	A. BURKS	2/14/2023

BURKS BUILDS
www.burksbuilds.com

DRAWING TITLE
BALL NUT MOUNT SPACER

DRAWING ID
CNCR-SPIN-BNM

REV
A

THE DESIGN IS PROVIDED "AS IS", WITHOUT WARRANTY OF ANY KIND, EXPRESS OR IMPLIED, INCLUDING BUT NOT LIMITED TO THE WARRANTIES OF MERCHANTABILITY, FITNESS FOR A PARTICULAR PURPOSE AND NON-INFRINGEMENT. IN NO EVENT SHALL THE AUTHORS OR COPYRIGHT HOLDERS BE LIABLE FOR ANY CLAIM, DAMAGES OR OTHER LIABILITY, WHETHER IN AN ACTION OF CONTRACT, TORT OR OTHERWISE, ARISING FROM, OUT OF OR IN CONNECTION WITH THE DESIGN OR THE USE OR OTHER DEALINGS IN THE DESIGN.

UNLESS OTHERWISE SPECIFIED:
DIMENSIONS ARE IN MILLIMETERS
INTERPRET DRAWING PER ASME Y14.100
INTERPRET DIMENSIONS PER ASME Y14.5

TOLERANCES, UNLESS OTHERWISE SPECIFIED:
X ± 2.0 X° ± 1.0°
X.X ± 0.5 X.X° ± 0.2°
X.XX ± 0.25

DO NOT SCALE DRAWING THIRD ANGLE SHEET 1 OF 1

6

5

4

3

2

1

D

D

C

C

B

B

A

A