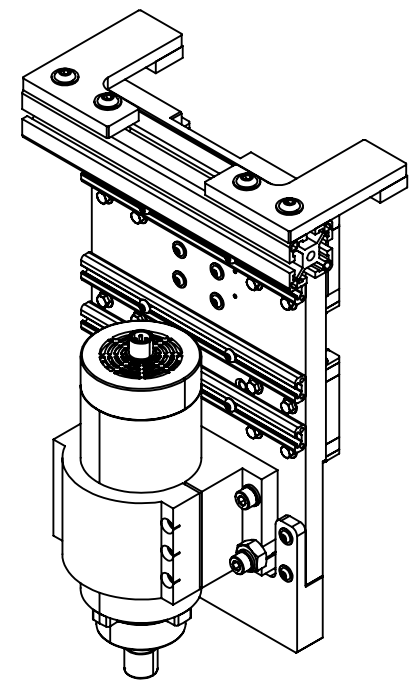
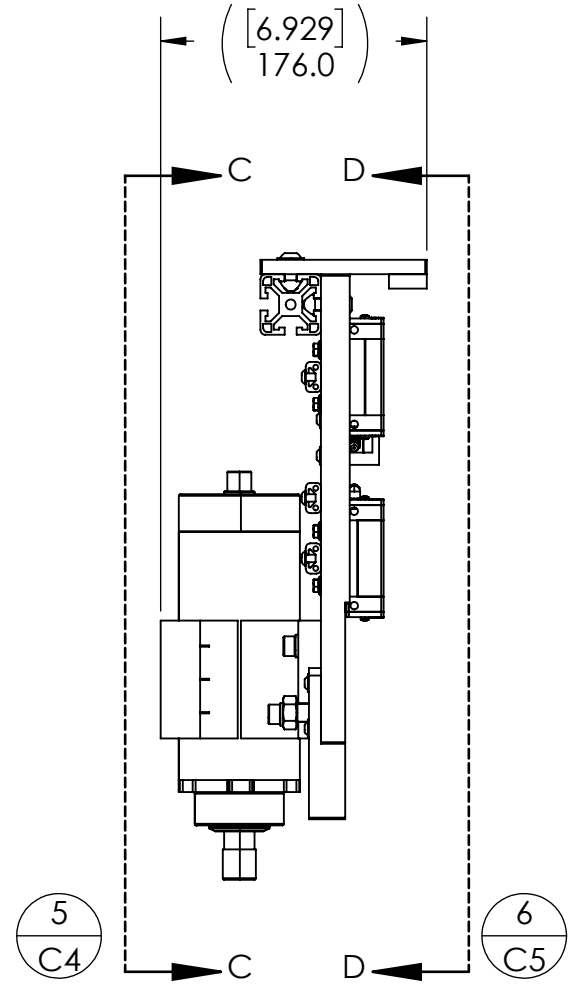
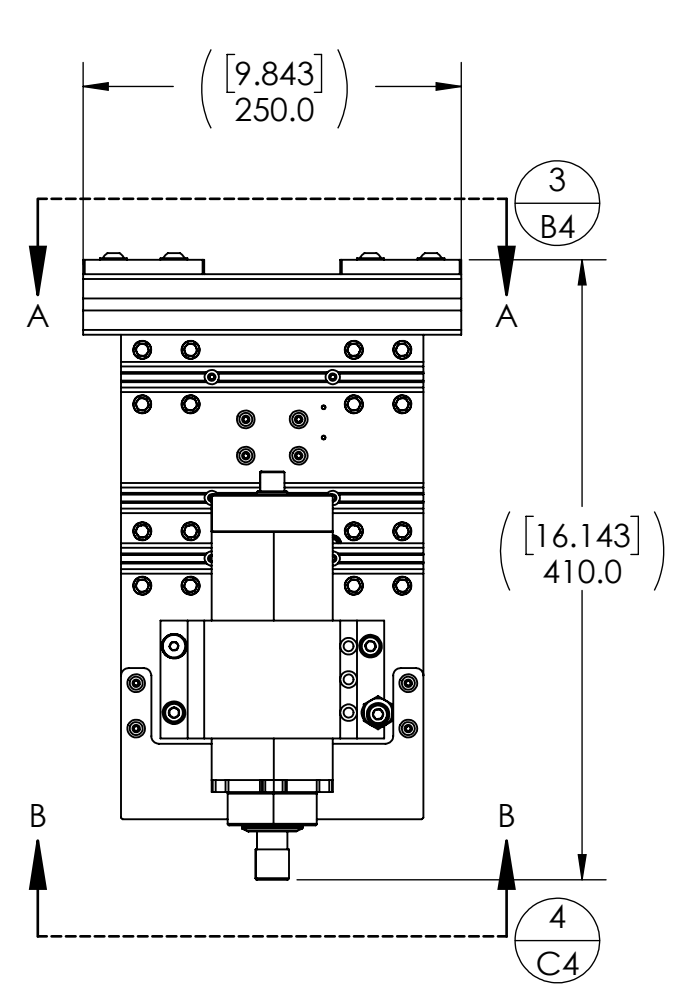


DOCUMENT REVISION HISTORY

REV.	DESCRIPTION	DATE	APPROVED
A	INITIAL RELEASE	14 FEB 2023	A. BURKS

NOTES UNLESS OTHERWISE SPECIFIED

- 1 APPROXIMATE MASS: 10 KG
- 2 COMPONENT ASSEMBLED AGAINST REFERENCE SURFACE
- 3 COMPONENT ALIGNED AT HIGHER LEVEL ASSEMBLY
- 4 FACES ASSEMBLED FLUSH
- 5 INSTALL THREADED INSERT WITH MANUFACTURER'S TOOL
- 6 SHIM JOINT APPROX WHERE SHOWN TO ADJUST TRAM ANGLE
- 7 ROTATE TO ADJUST TRAM ANGLE



	NAME	DATE
DRAWN	A. BURKS	2/14/2023
CHECKED		
ANALYZED	A. BURKS	2/14/2023
APPROVED	A. BURKS	2/14/2023

BURKS BUILDS www.burksbuilds.com	
DRAWING TITLE	
DRAWING ID CNCR-SPIN	REV A
DO NOT SCALE DRAWING	THIRD ANGLE
SHEET 1 OF 6	

THE DESIGN IS PROVIDED "AS IS", WITHOUT WARRANTY OF ANY KIND, EXPRESS OR IMPLIED, INCLUDING BUT NOT LIMITED TO THE WARRANTIES OF MERCHANTABILITY, FITNESS FOR A PARTICULAR PURPOSE AND NONINFRINGEMENT. IN NO EVENT SHALL THE AUTHORS OR COPYRIGHT HOLDERS BE LIABLE FOR ANY CLAIM, DAMAGES OR OTHER LIABILITY, WHETHER IN AN ACTION OF CONTRACT, TORT OR OTHERWISE, ARISING FROM, OUT OF OR IN CONNECTION WITH THE DESIGN OR THE USE OR OTHER DEALINGS IN THE DESIGN.

UNLESS OTHERWISE SPECIFIED:
DIMENSIONS ARE IN MILLIMETERS
INTERPRET DRAWING PER ASME Y14.100
INTERPRET DIMENSIONS PER ASME Y14.5

TOLERANCES, UNLESS OTHERWISE SPECIFIED:
X ±2.0 X° ±1.0°
X.X ±0.5 X.X° ±0.2°
X.XX ±0.25

6

5

4

3

2

1

D

D

C

C

B

B

A

A

29	1	M8X10MM-SPACER	SPACER, M8 SCREW, 10mm HEIGHT	ABS FILAMENT
28	1	CNCR-SPIN-BNM	BALL NUT MOUNT SPACER	ABS FILAMENT
27	2	M3X12MM-BHCS	M3 X 12mm BUTTON HEAD CAP SCREW	MCMaster-CARR SUPPLY COMPANY: 92095A183
26	4	M5-M8-INSERT	BLACK-PHOSPHATE STEEL KEY-LOCKING INSERTS	MCMaster-CARR SUPPLY COMPANY: 90245A161
25	1	CNCR-HSF-XY	HOME SWITCH FLAG	ABS FILAMENT
24	1	CNCR-SPIN-SPE-50	SPINDLE PLATE EXTENDER	1" OR 25MM THICK SHEET OR PLATE
23	8	M5X16MM-FBHCS	M5 X 16mm FLANGED BUTTON HEAD CAP SCREW	MCMaster-CARR SUPPLY COMPANY: 97654A663
22	6	M4X12MM BHCS	M4 X 12mm BUTTON HEAD CAP SCREW	MCMaster-CARR SUPPLY COMPANY: 92095A192
21	1	M8X40MM-SHCS	M8 X 40mm SOCKET HEAD CAP SCREW	MCMaster-CARR SUPPLY COMPANY: 91292A152
20	3	M8X25MM-SHCS	18-8 STAINLESS STEEL SOCKET HEAD SCREW	MCMaster-CARR SUPPLY COMPANY: 91292A148
19	3	M8-WASHER	M8 WASHER, 15mm OD	MCMaster-CARR SUPPLY COMPANY: 98689A116
18	1	M8-SHLD10X16	M8 SHOULDER BOLT, 10mm OD X 16mm LONG	MCMaster-CARR SUPPLY COMPANY: 90265A162
17	1	M8-ENUT	HEX FLANGED ECCENTRIC BUSHING	MCMaster-CARR SUPPLY COMPANY: 7744N107
16	5	M8-M12-INSERT	M8 KEYED INSERT, M12 MOUNT	MCMaster-CARR SUPPLY COMPANY: 90245A173
15	8	M8-TSN40-BALL	M8 40mm T-SLOT NUT, SPRING-BALL	MCMaster-CARR SUPPLY COMPANY: 5537T42
14	4	M8X20MM-FBHCS	M8 X 20mm FLANGED BUTTON HEAD CAP SCREW	MCMaster-CARR SUPPLY COMPANY: 97654A384
13	4	M8X25MM-FBHCS	M8 X 25mm FLANGE BUTTON HEAD CAP SCREW	MCMaster-CARR SUPPLY COMPANY: 97654A385
12	6	M5X25MM BHCS, 18-8 - 92095A216	M5 X 25mm BUTTON HEAD CAP SCREW	MCMaster-CARR SUPPLY COMPANY: 92095A216
11	16	M5X20MM-FHHCS	JIS HIGH-STRENGTH STEEL FLANGED HEX HEAD SCREW	MCMaster-CARR SUPPLY COMPANY: 95735A515
10	1	SPINDLE80	SPINDLE MOTOR, 80mm OD	CHINA: SPINDLE, 80mm, 1.5KW, ER16
9	3	CNCR-SPIN-TSE-AM	ACCESSORY MOUNT	FRAMINGTECH 10X20-05/200mm
8	2	CNCR-BUMP-Z	HARD STOP BUMPER	3/8" OR 10 mm THICK SHORE 90A SHEET OR STRIP
7	1	CNCR-SPIN-TSE-HSM	HARD STOP MOUNT	40-4040 T SLOT EXTRUSION, LIGHTWEIGHT
6	2	CNCR-SPIN-HS	HARD STOP PLATE	3/8" OR 10mm THICK PLATE OR BAR
5	1	BALLNUT1204	BALL SCREW NUT, 12mm	HIWIN: SFU1204
4	1	BALLNUT12-MOUNT	BALL NUT MOUNT, 12mm	CHINA: DSG12H
3	1	CNCR-SPIN-CLAMP	SPINDLE CLAMP, 80mm	COMMON 80MM SPINDLE CLAMP
2	4	BEARING20	BEARING BLOCK, 20mm RAIL	HIWIN: HGH20-CA
1	1	CNCR-SPIN-PLATE	SPINDLE CARRIAGE MOUNTING PLATE	3/4" OR 20mm THICK PLATE OR BAR

ITEM	QTY.	NAME	DESCRIPTION	VENDOR / MAKE FROM
------	------	------	-------------	--------------------

DRAWING ID	CNCR-SPIN	REV	A
DO NOT SCALE DRAWING	THIRD ANGLE		SHEET 2 OF 6

6

5

4

3

2

1

6

5

4

3

2

1

D

D

C

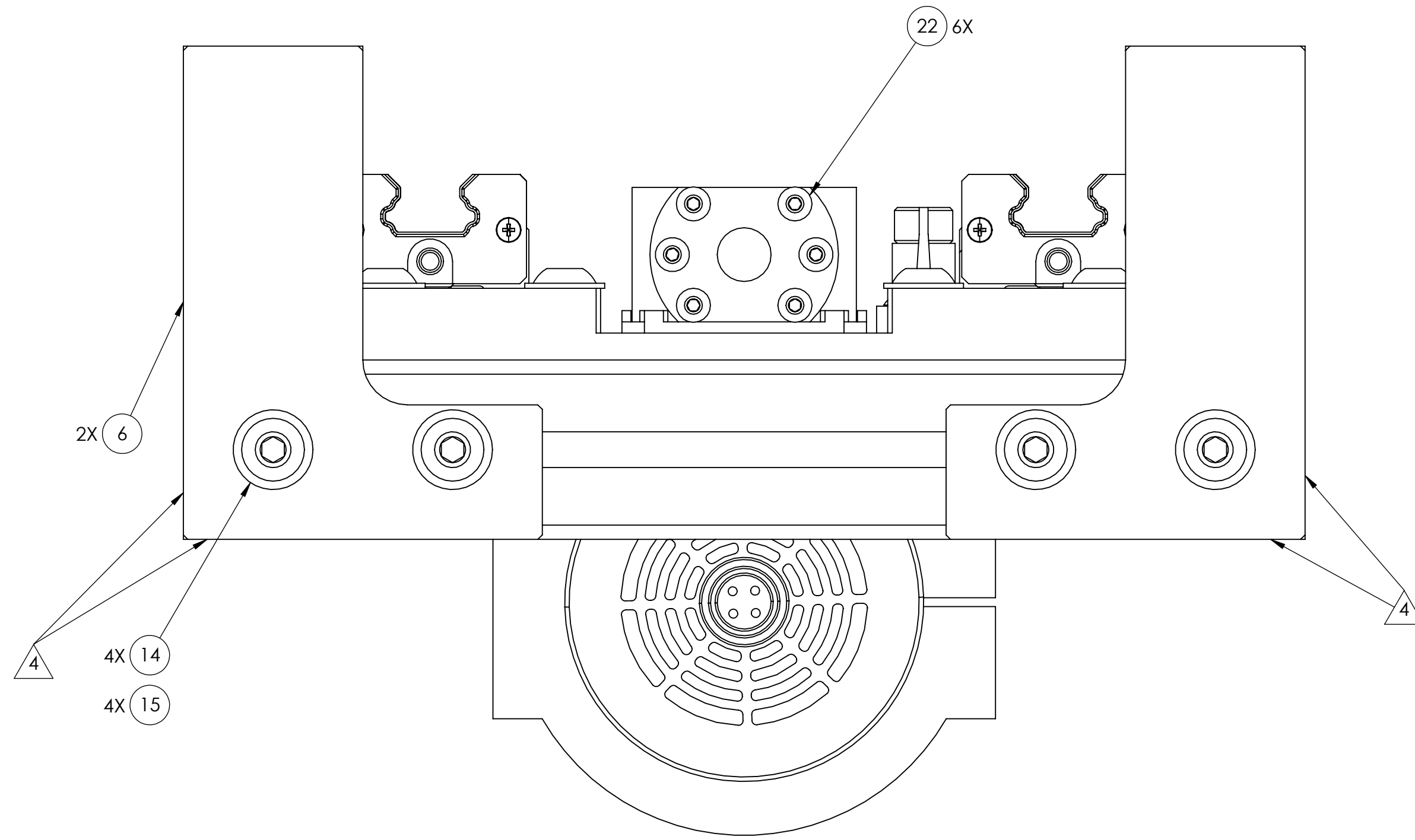
C

B

B

A

A



SECTION A-A

1
B5

DRAWING ID	CNCR-SPIN	REV	A
DO NOT SCALE DRAWING	THIRD ANGLE	SHEET 3 OF 6	

6

5

4

3

2

1

6

5

4

3

2

1

D

D

C

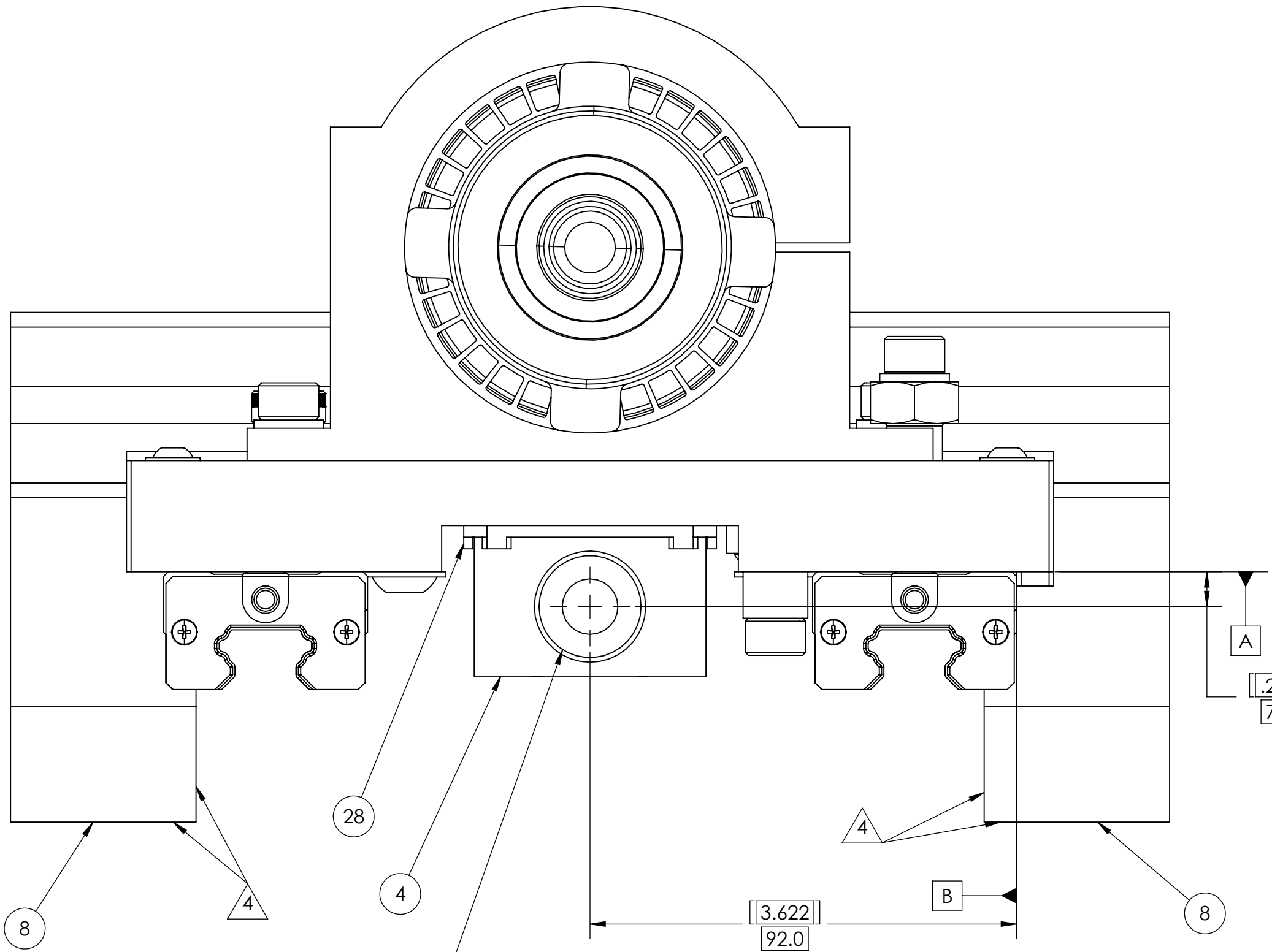
C

B

B

A

A



5 $\text{\textcircled{+}} 0.25$ A B

SECTION B-B

$\frac{1}{B5}$

DRAWING ID		REV
CNCR-SPIN		A
DO NOT SCALE DRAWING	THIRD ANGLE	SHEET 4 OF 6

6

5

4

3

2

1

D

D

C

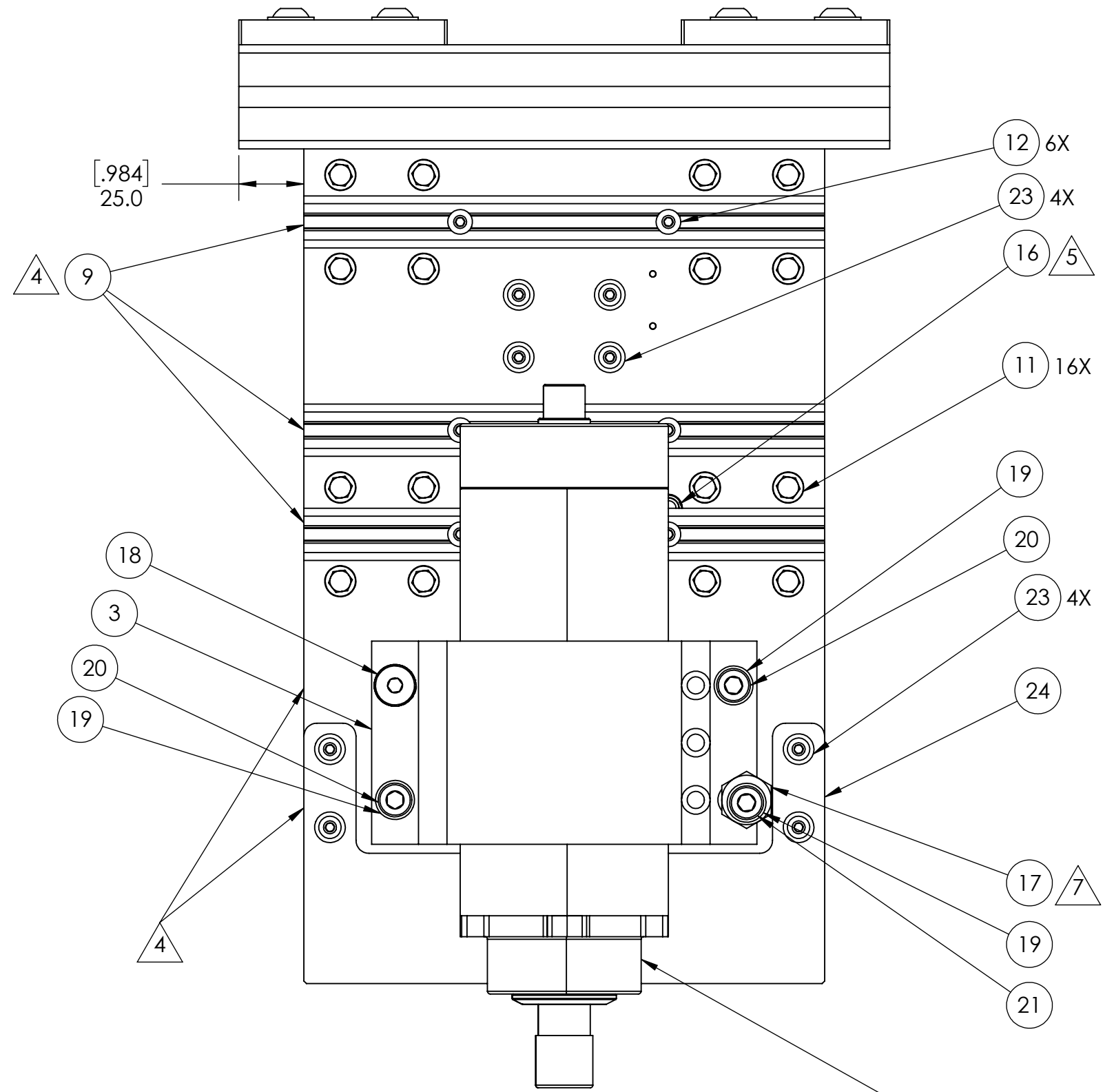
C

B

B

A

A



[.984]
25.0

SECTION C-C

1
B4

DRAWING ID		REV
CNCR-SPIN		A
DO NOT SCALE DRAWING	THIRD ANGLE	SHEET 5 OF 6

6

5

4

3

2

1

6

5

4

3

2

1

D

D

C

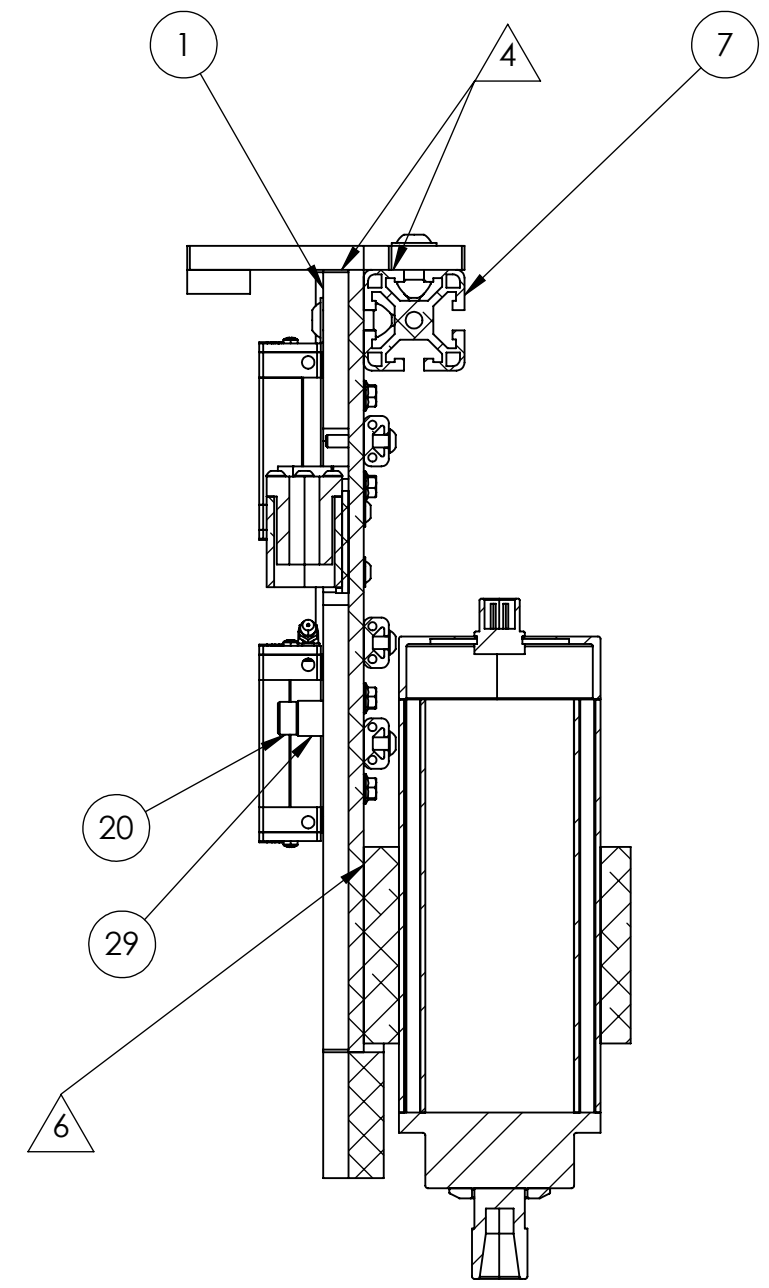
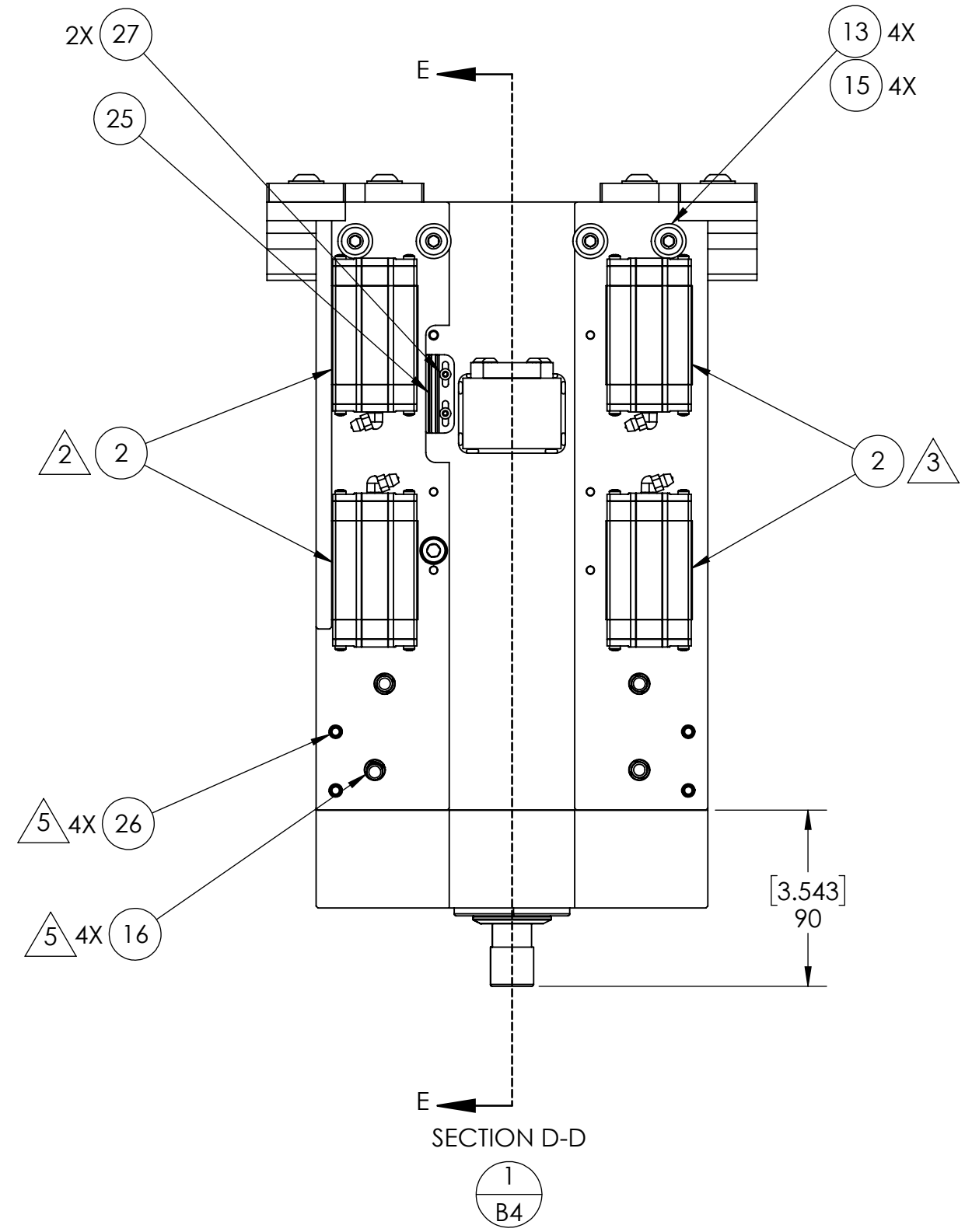
C

B

B

A

A



SECTION D-D

SECTION E-E

DRAWING ID		REV
CNCR-SPIN		A
DO NOT SCALE DRAWING	THIRD ANGLE	SHEET 6 OF 6

6

5

4

3

2

1