

6

5

4

3

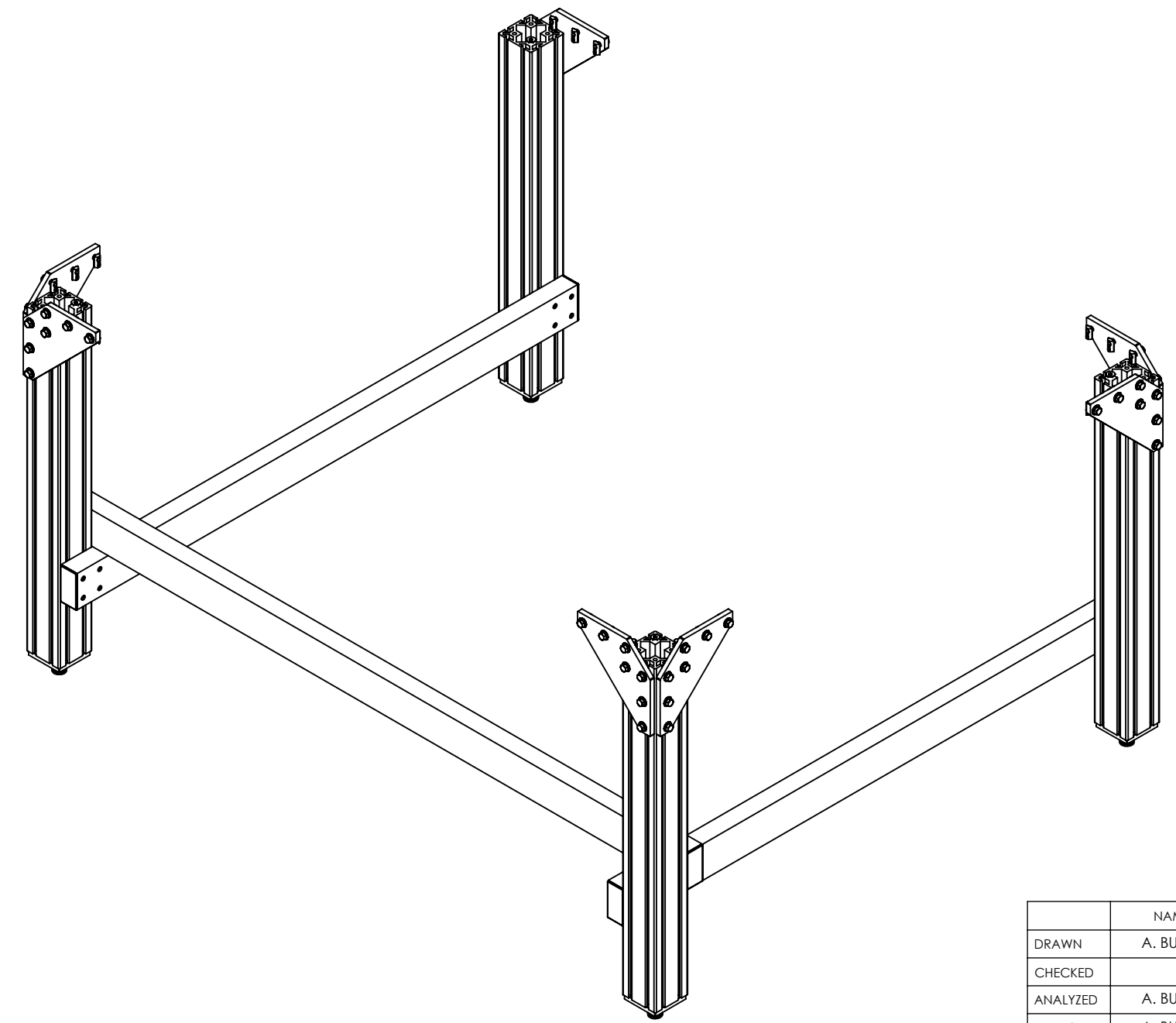
2

1

NOTES UNLESS OTHERWISE SPECIFIED

- 1 APPROXIMATE MASS: 36 KG
- 2 HARDWARE INCLUDED AS A KIT, TO BE INSTALLED AT HIGHER LEVEL ASSEMBLY
- 3 ADJUST TO LEVEL BED AT HIGHER LEVEL ASSEMBLY
- 4 FOR -4X4 ASSEMBLY CONFIGURATION USE -2 COMPONENT CONFIGURATION
- 5 INSTALL THREADED ISNERT WITH MANUFACTURER'S TOOL

| DOCUMENT REVISION HISTORY | | | |
|---------------------------|---------------------------------|-------------|----------|
| REV. | DESCRIPTION | DATE | APPROVED |
| A | INITIAL RELEASE | 11 FEB 2022 | A. BURKS |
| B | 4x4 CONFIGURATION COMPATABILITY | 14 FEB 2023 | A. BURKS |



CNCR-STAND-2X4 CONFIGURATION SHOWN

| | NAME | DATE |
|----------|----------|-----------|
| DRAWN | A. BURKS | 2/14/2023 |
| CHECKED | | |
| ANALYZED | A. BURKS | 2/11/2022 |
| APPROVED | A. BURKS | 2/14/2023 |

| | |
|--|---------------------------|
| BURKS BUILDS <small>www.burksbuilds.com</small> | |
| DRAWING TITLE STAND | |
| DRAWING ID CNCR-STAND | REV B |
| DO NOT SCALE DRAWING | THIRD ANGLE SHEET 1 OF 4 |

THE DESIGN IS PROVIDED "AS IS", WITHOUT WARRANTY OF ANY KIND, EXPRESS OR IMPLIED, INCLUDING BUT NOT LIMITED TO THE WARRANTIES OF MERCHANTABILITY, FITNESS FOR A PARTICULAR PURPOSE AND NON-INFRINGEMENT. IN NO EVENT SHALL THE AUTHORS OR COPYRIGHT HOLDERS BE LIABLE FOR ANY CLAIM, DAMAGES OR OTHER LIABILITY, WHETHER IN AN ACTION OF CONTRACT, TORT OR OTHERWISE, ARISING FROM, OUT OF OR IN CONNECTION WITH THE DESIGN OR THE USE OR OTHER DEALINGS IN THE DESIGN.

UNLESS OTHERWISE SPECIFIED:
 DIMENSIONS ARE IN MILLIMETERS
 INTERPRET DRAWING PER ASME Y14.100
 INTERPRET DIMENSIONS PER ASME Y14.5

TOLERANCES, UNLESS OTHERWISE SPECIFIED:
 X ± 2.0 X° ± 1.0°
 X.X ± 0.5 X.X° ± 0.2°
 X.XX ± 0.25

6

5

4

3

2

1

D

C

B

A

D

C

B

A

6

5

4

3

2

1

D

D

C

C

B

B

A

A

| 13 | 4 | M8X16MM-SHFS | 18-8 STAINLESS STEEL HEX DRIVE FLAT HEAD SCREW | MCMaster-CARR SUPPLY COMPANY: 92125A282 |
|------|------|--------------------|--|--|
| 12 | 6 | BOXCOV-3X1,5 | BOX TUBE END COVER, 3" X 1.5" | MCMaster-CARR SUPPLY COMPANY: 9474K59 |
| 11 | 4 | CNCR-STAND-TSE-LEG | LEG | 40-8080 T SLOT EXTRUSION, LIGHTWEIGHT |
| 10 | 4 | M8-FOOT | M8 SWIVEL LEVELING MOUNT | MCMaster-CARR SUPPLY COMPANY: 6111K663 |
| 9 | 16 | M8X25MM-FHHCS | JIS HIGH-STRENGTH STEEL FLANGED HEX HEAD SCREW | MCMaster-CARR SUPPLY COMPANY: 95735A425 |
| 8 | 4 | M8-M12-INSERT | M8 KEYED INSERT, M12 MOUNT | MCMaster-CARR SUPPLY COMPANY: 90245A173 |
| 7 | 4 | CNCR-STAND-FP | SWIVEL FOOT MOUNT | 3/8" OR 10mm THICK PLATE OR BAR |
| 6 | 7 | CNCR-STAND-GP | GUSSET PLATE | 3/8" OR 10mm THICK PLATE OR BAR |
| 5 | 24 | M8X12MM-FHHCS | JIS HIGH-STRENGTH STEEL FLANGED HEX HEAD SCREW | MCMaster-CARR SUPPLY COMPANY: 95735A412 |
| 4 | 49 | M8X20MM-FHHCS | JIS HIGH-STRENGTH STEEL FLANGED HEX HEAD SCREW | MCMaster-CARR SUPPLY COMPANY: 95735A421 |
| 3 | 73 | M8-TSN40-BALL | M8 40mm T-SLOT NUT, SPRING-BALL | MCMaster-CARR SUPPLY COMPANY: 5537T42 |
| 2 | 2 | CNCR-STAND-SS-2 | △ ₄ SIDE STRINGER | 1.5" X 3" X 1/8" OR 40mm X 80mm X 3mm TUBE |
| 1 | 1 | CNCR-STAND-BS | BACK STRINGER | 1.5" X 3" X 1/8" OR 40mm X 80mm X 3mm TUBE |
| ITEM | QTY. | NAME | DESCRIPTION | VENDOR / MAKE FROM |

| | | |
|----------------------|-------------|--------------|
| DRAWING ID | | REV |
| CNCR-STAND | | B |
| DO NOT SCALE DRAWING | THIRD ANGLE | SHEET 2 OF 4 |

6

5

4

3

2

1

6

5

4

3

2

1

D

D

C

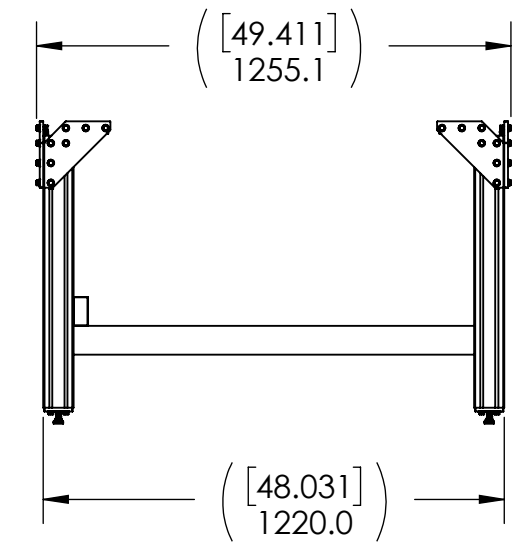
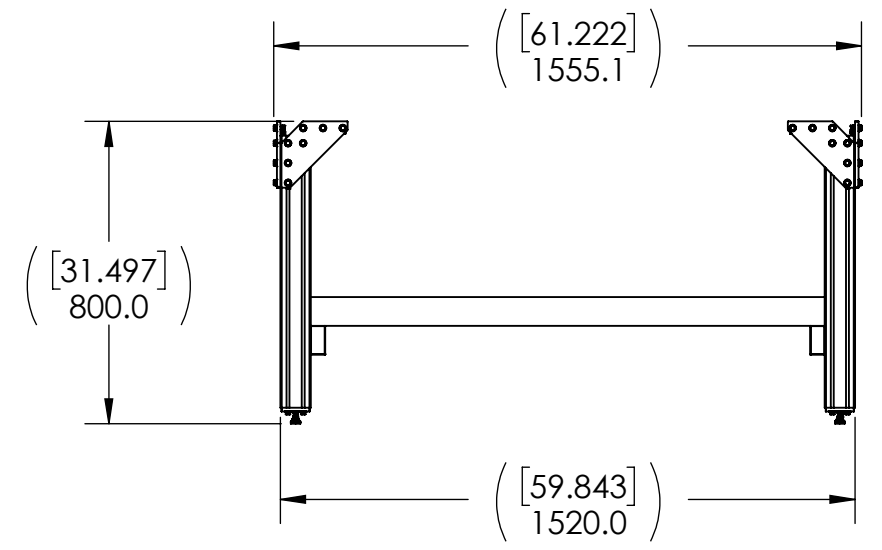
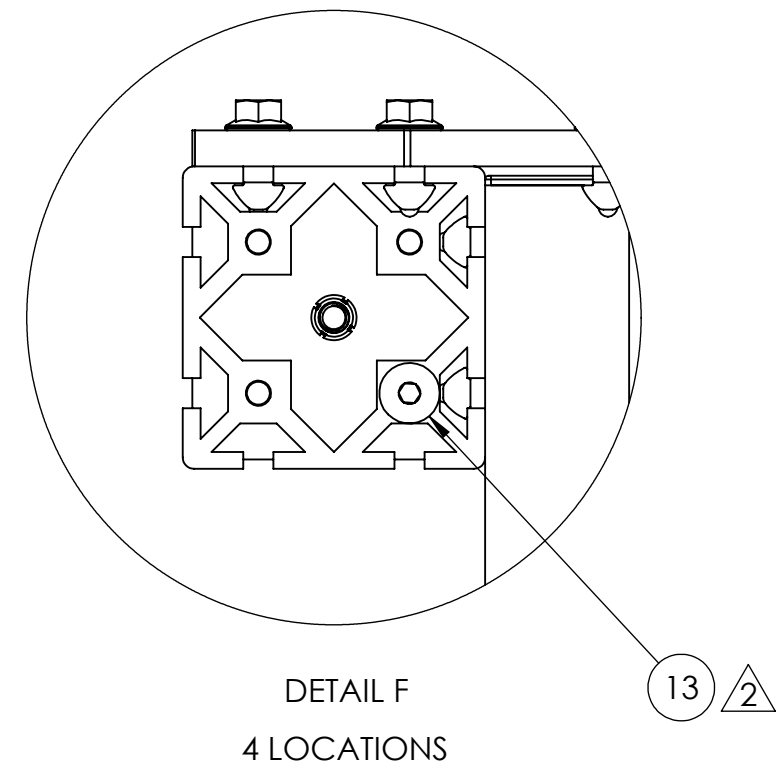
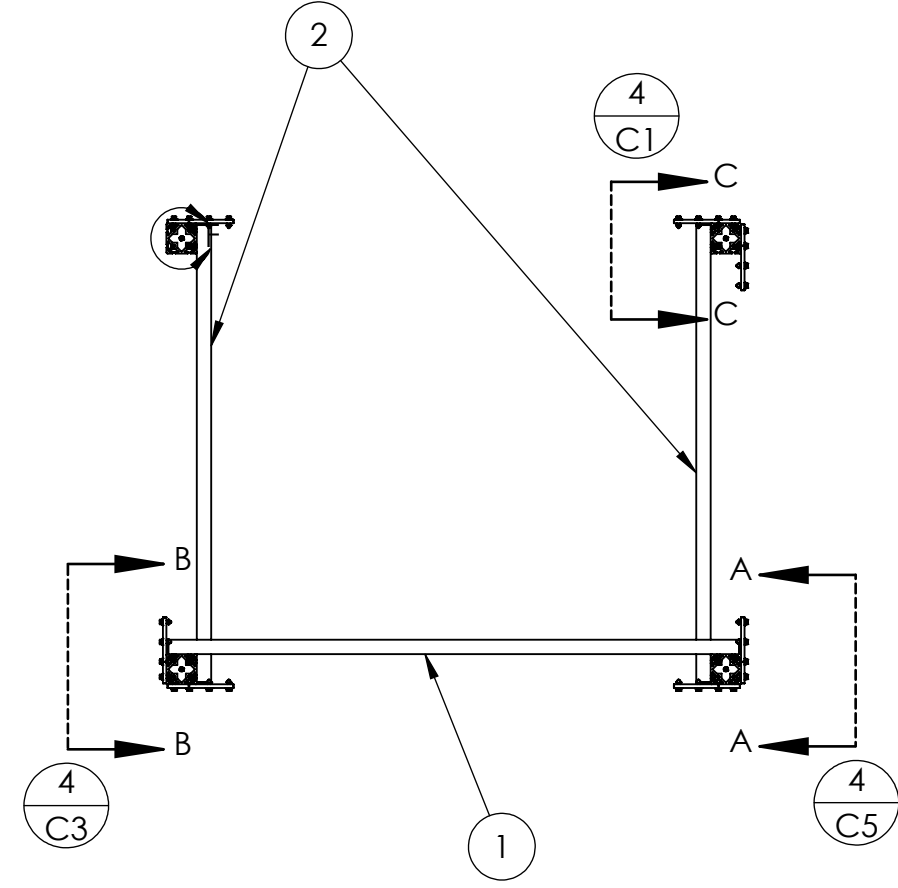
C

B

B

A

A



| | | |
|----------------------|-------------|--------------|
| DRAWING ID | | REV |
| CNCR-STAND | | B |
| DO NOT SCALE DRAWING | THIRD ANGLE | SHEET 3 OF 4 |

6

5

4

3

2

1

6 5 4 3 2 1

D

D

[1.476]
37.5

6

7X 4 $\triangle 2$
7X 3

$\triangle 2$ 7X 4
7X 3

6

[1.476]
37.5

C

C

[16.856±.197]
428±5

11

B

B

12

4X 5
4X 3

A

A

SECTION A-A \curvearrowright 270.00° $\frac{3}{C4}$
3 LOCATIONS

[1.299]
33

SECTION B-B \curvearrowright 90.00° $\frac{3}{C4}$
4 LOCATIONS

7

9 4X

8 $\triangle 5$

10

SECTION C-C \curvearrowright 90.00° $\frac{3}{C4}$
6 LOCATIONS

| | | |
|----------------------|-------------|--------------|
| DRAWING ID | | REV |
| CNCR-STAND | | B |
| DO NOT SCALE DRAWING | THIRD ANGLE | SHEET 4 OF 4 |

6 5 4 3 2 1